






DESCRIPTION

shuckN**bu**ck is a high-speed bucking machine for removal of hemp flower from stems that is designed for indoor or outdoor use. It delivers the capacity to process one acre of plant harvest in three hours with a single operator. The biomass is deposited neatly into a container of your choice for storage or shipment.

FEATURES

-  **5 Second Processing Speed**
-  **2,000 plants in 3 hours (1 acre)**
-  **Direct fill of storage containers**
-  **Indoor/outdoor use**
-  **Lower processing cost**



EXTENDED

FEATURES

- Efficient separation of flower and fiber
- High throughput – 5 seconds/plant
- Flexible poly propylene brushes
- Compatible with generator for outdoor use
- Flexible hopper system
- E-stop panic bar and motor brake

BENEFITS

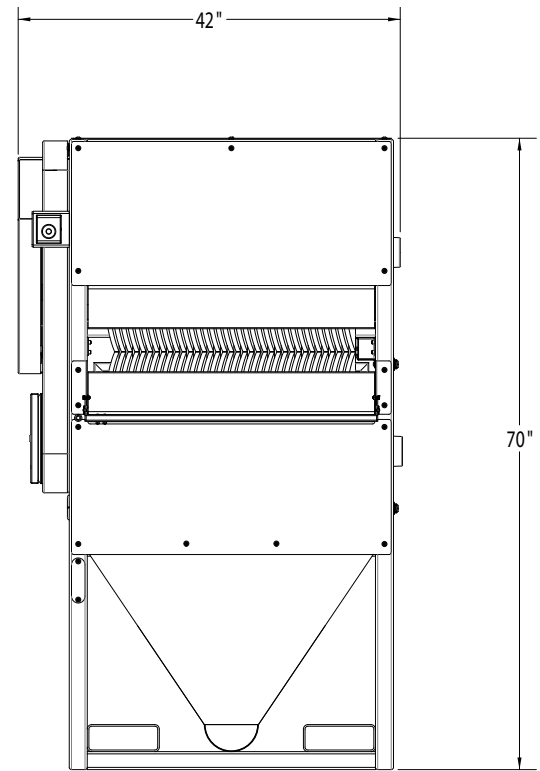
- Increase purity of extracts
- Grinds flower for efficient storage
- Stalks can be sold as fiber
- Greatly reduced labor costs
- Fastest processing for large harvests
- Maximum operator safety
- Easy container fill options
- Indoor/outdoor use

VALUE

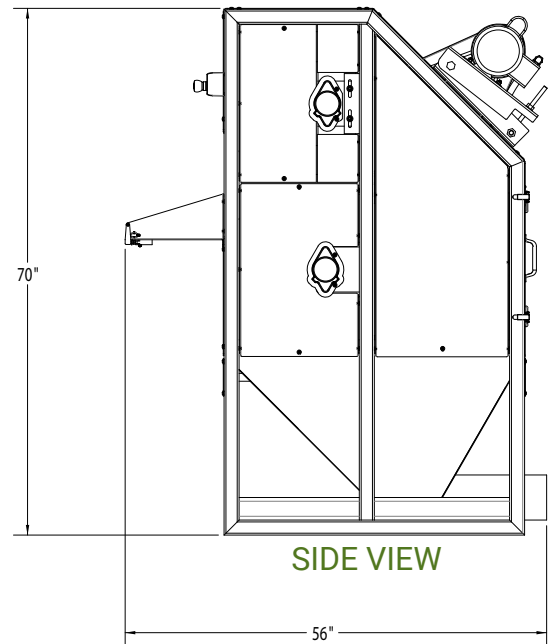
- Higher purity extracts by separating fiber
- Lower processing costs by concentrating biomass
- 60% reduction in labor over manual methods
- Dramatic reduction in harvest processing time

SPECIFICATIONS

ATTRIBUTE	VALUE
General Specifications	
Dimensions (in)	H70 x W42 x D56
Unit Weight (lbs)	906
Brush Material	Polypropylene
Environment	Approved for indoor and outdoor use
Frame Material	Powder-Coated Carbon Steel
Ingress Protection Rating	66
Motor (HP)	1
Operating Humidity	20 to 80%
Operating Temperature (°F)	0 to 95 (50 to 70, optimal)
Speed (RPM)	1,800
Cleaning	Rated for washdown and forced drying
Safety Bar	Limit switch will disengage main contactor when 10+ lbs of force is applied to bump bar
Electrical Specifications	
Current (amps)	12.8
E-stop	Switch disengages main contactor
Frequency (Hz)	60
Phase	1
Voltage (VAC)	115
Performance Specifications*	
Plants/Minute	70
	<i>*Actual Performance Results May Vary</i>
Installation and Training	
Included Install & Training	2 days
Warranty	
Duration	3 years
Quality and Labor	Parts & workmanship



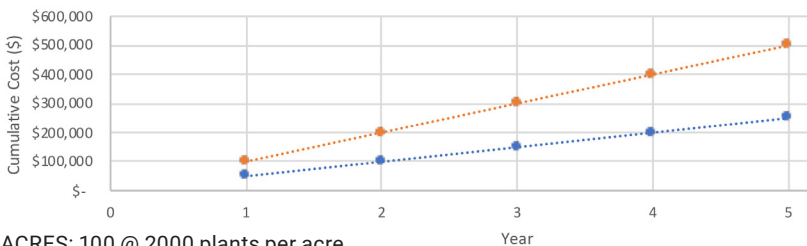
FRONT VIEW



SIDE VIEW

VALUE

Comparison of Manual vs. Automated Flower Removal



ACRES: 100 @ 2000 plants per acre
 BLUE LINE: Finance 4 machines for 60 months at 12% for cumulative yearly cost of \$48k per year + 1000 in labor to feed machine.
 RED LINE: Cumulative labor cost for processing 100 acres by hand.

shuckNbuck™



651-600-0036 | EXTRAKTLAB.COM
 811 PINE ST. SAINT CROIX FALLS, WI 54024

UNITED SCIENCE
 www.unitedscience.com