

DESCRIPTION

The DrainDroyd filtration system makes high-throughput wax removal from winterized ethanol solutions. It eliminates the frustrating bottleneck of using small scale Buchner funnels for filtration.

The DrainDroyd reduces the number of steps in the overall manufacturing process and supports the production of higher quality extracts.

FEATURES

-  **High throughput filtration**
-  **Containment vessel for product isolation**
-  **GMP-compliant stainless-steel construction**
-  **Superb cleanability**
-  **Starter kit includes everything needed**
-  **Multiple accessories to expand methods**



EXTENDED

FEATURES

- 316 stainless steel construction
- Vacuum pump acceleration filtration
- Containment vessel for product isolation and GMP compliance
- Multiple accessories to expand methods and techniques
- Integrated floor stand

BENEFITS

- Fastest filtration method in the industry
- Provides superb cleanability and sanitation between batches
- Easy integration into existing processes
- No broken glass or spillage

STARTER KIT INCLUDES

- DrainDroyd with stand
- Containment vessel with expeller nozzle
- Vacuum pump with hoses
- Package of 100 count filter paper in 3, 5, 10, and 20 micron sizes

SPECIFICATIONS

General Specifications	
ATTRIBUTE	VALUE
Dimensions (in)	L26 x W26 x H45
Portability	Adjustable height casters
Weight (lbs)	130
Vacuum ("Hg)	27
Vacuum Fittings	KF-25 Connection
Reservoir Volume (L)	150

Filter Media		
FILTER MEDIA	PORE DIAMETER	GRADE
Cellulose Paper	3 Microns	Technical
Cellulose Paper	5 Microns	Technical
Cellulose Paper	10 Microns	Technical
Cellulose Paper	20 Microns	Technical

Containment System	
ATTRIBUTE	VALUE
Max Pressure (psi)	300
Wetted Materials	Buna-N, 316 SS
Surface Finish	16 micro in or better
Temperature Range (°C)	-50 to 100

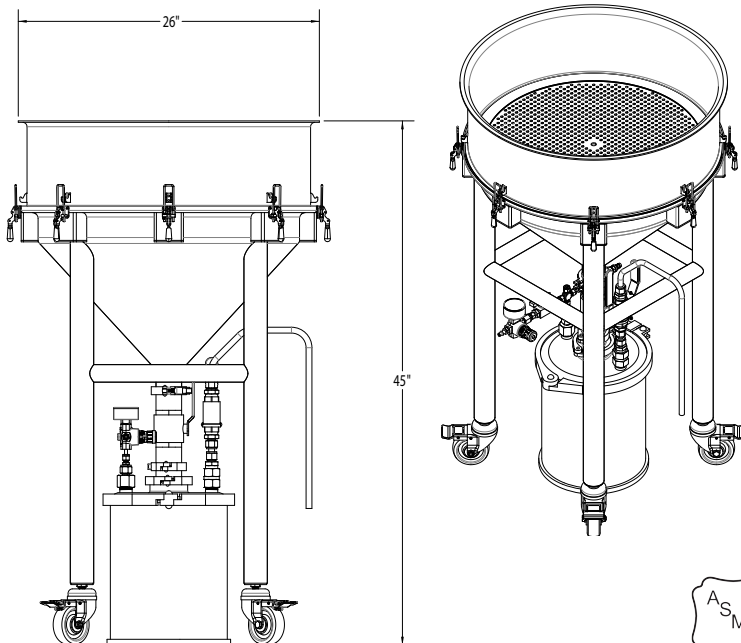


DRAINDROYD STARTER KIT

The DrainDroyd Starter Kit has everything to get your filtration solution up and running, including:

- DrainDroyd with stand
- Containment vessel with expeller nozzle
- Vacuum pump with hoses
- Package of 100 count filter paper in 3, 5, 10, and 20 micron sizes

LINE DRAWINGS



DRAINDROYD®

extraktLAB®

651-600-0036 | EXTRAKTLAB.COM
811 PINE ST. SAINT CROIX FALLS, WI 54024

 **UNITED SCIENCE**
www.unitedscience.com